

Device Installation Guide

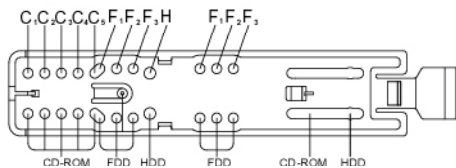


Figure 1

As shown in Figure 1, there are five positions for CD-ROM(C₁-C₄), three for FDD(F₁-F₃) and one for HDD(H) on the rail. Before you install any device into chassis, you have to fasten a pair of rail on both side. (5 pairs of rail are provided in the chassis.) Please refer to the installation guide as Figure 2,3 and 4.

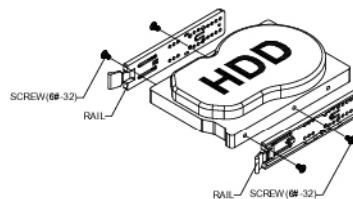


Figure 4

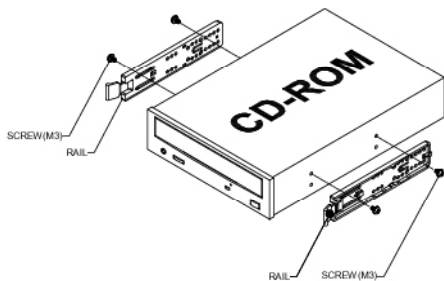


Figure 2

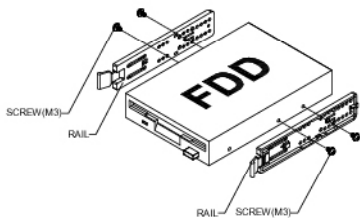


Figure 3

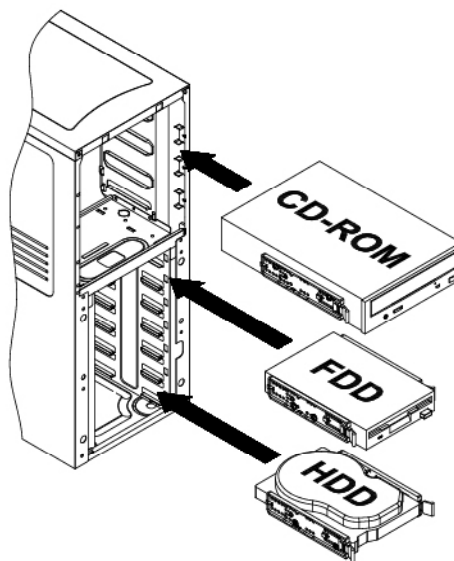


Figure 5

Refer to Figure 5, you can set up your device easily.

RP_Shield Assemble/Dismantle Guide

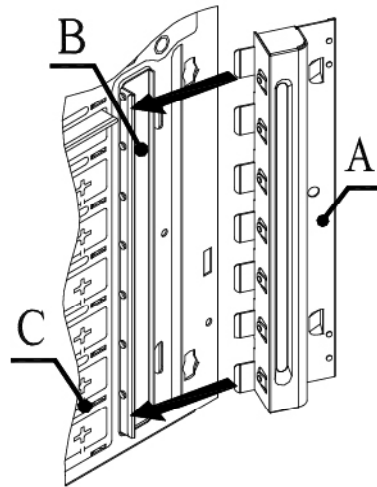


Fig.1

1. When assemble the rp-shield(A), it should be inserted into the aperture(B) of the rear plate(C).

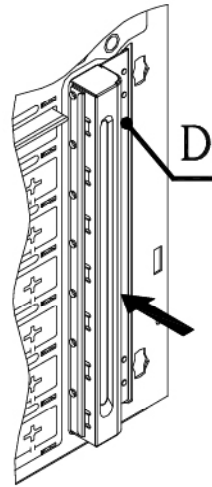


Fig.2

2. Press the rp-shield, make two rear plate hooks(D) wedge the clasps(E).

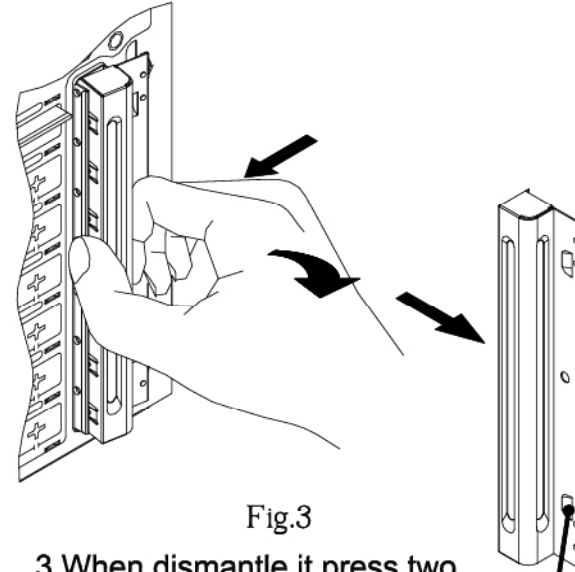


Fig.3

3. When dismantle it, press two rp-shield hooks towards left. Remove the rp-shield from rear plate.